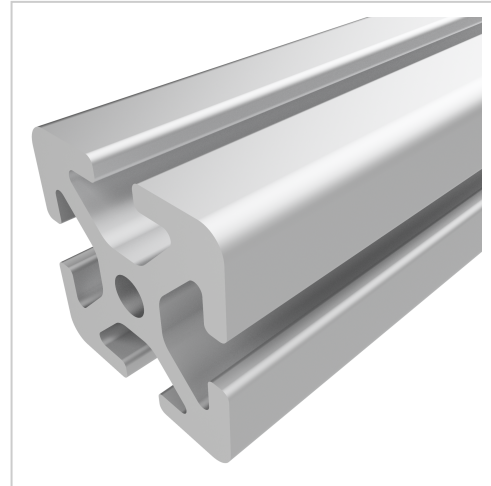


Profile 6 30x30, natural | Cut length

Product number PI-3010 SZ

Weight 1.205kg



Product description

Profiles 6 are particularly suitable for weight-optimised assemblies. The grooves and the core holes of profiles 6 are designed for M6 screws.

Cut to size max. 6000 mm

Product properties

Material	Al Mg Si 0.5 F25, artificially aged
Anodised	E6EV1 10-15 µm silver
Tolerances	EN 12020-2
Nutauszugskraft	F=1.750 N
Breite Profil	30 mm
Höhe Profil	30 mm
Series	Series 6
Groove shape	Open grooves
Profile length	Cut length
Contour	Square
Delivery unit	Cuts
Size	30x30 mm
Colour	natural
Execution	heavy

More images

