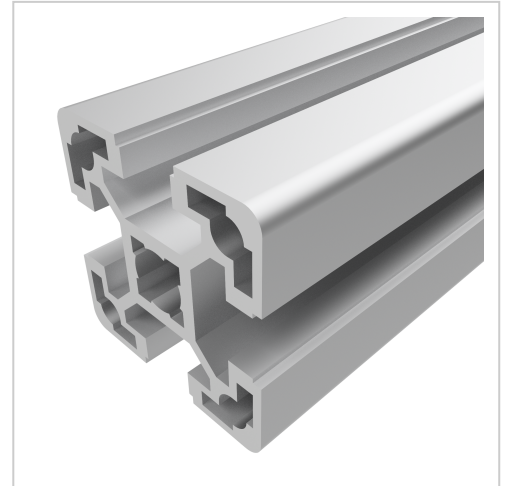


Profile 40x40 light natural-10 | Cut length

Strebenprofil 40x40L kaufen ☐ - 3 842 993 120 kompatibel mit Bosch-Geräten. Jetzt sparen in unserem Onlineshop ☐ !

Product number PB-1110 SZ

Weight 1.496kg



Product description

The profiles in pitch 40 with groove 10 are suitable for assemblies of all kinds. Due to the different profile geometries, the material requirements can be adapted to the application. The grooves are designed for M8 screws.

Cut to size max. 6000 mm

Compatible with Bosch 3 842 993 120

Product properties

Compatible with	Bosch
Nutauszugskraft	F=7.000 N
Breite Profil	40 mm
Höhe Profil	40 mm
Groove shape	Open grooves
Profile length	Cut length
Contour	Square
Modular dimension	Modular dimension 40
Delivery unit	Cuts
Execution	light
Size	40x40 mm
Series	Series 40-10
Colour	natural

More images

