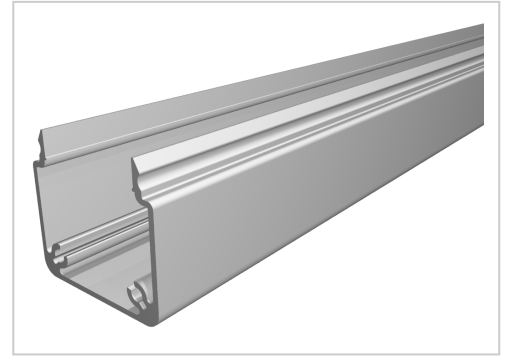


# Conduit Profile U 40x40 SE, natural | Cut length

Kanalprofil U 40x40 SE, natur kaufen ☐ - 0.0.487.27 kompatibel mit Aluprofilen. Jetzt sparen in unserem Onlineshop ☐ !

**Product number** PI-5010 SZ

**Weight** 0.61kg



## Product description

Trunking profiles and cover profiles are used to create various installation trunkings or cable runs. Our aluminium trunking has a very high level of stability and offers a visually sophisticated design.

## Product properties

<b>Material</b>	Al Mg Si 0.5 F25, artificially aged
<b>Anodised</b>	E6EV1 10-15 µm silver
<b>Tolerances</b>	EN 12020-2
<b>Compatible with</b>	item
<b>Part type</b>	Cable ducts
<b>Profile length</b>	Cut length
<b>Series</b>	Series 8, Conduits
<b>Delivery unit</b>	Cuts
<b>Colour</b>	natural

## More images

