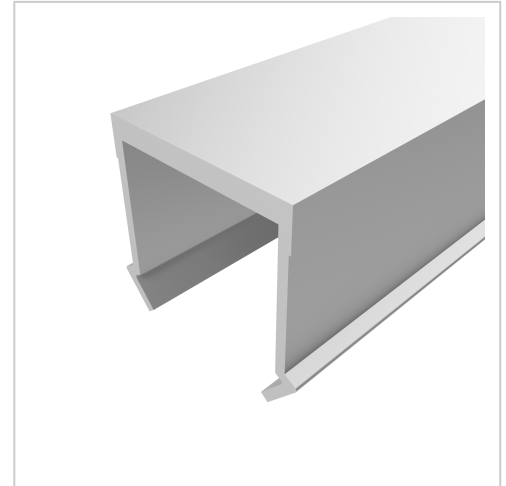


Cover Profile Al natural-10 | Cut length

Abdeckprofil AL natur-10 kaufen ☐☐ - 3 842 523 258 kompatibel mit Bosch-Geräten. Jetzt sparen in unserem Onlineshop ☐ !

Product number PB-1030 SZ

Weight 0.022kg



Product description

The profiles in pitch 40 with groove 10 are suitable for assemblies of all kinds. Due to the different profile geometries, the material requirements can be adapted to the application. The grooves are designed for M8 screws.

Cut to size max. 6000 mm

Compatible with Bosch 3 842 523 258

Product properties

Material	Al Mg Si 0.5 F25, artificially aged
Anodised	E6EV1 10-15 µm silver
Tolerances	EN 12020-2
Compatible with	Bosch
Nutauszugskraft	F=7.000 N
Groove shape	Open grooves
Series	Series 45-10, Series 50-10, Series 40-10
Profile length	Cut length
Delivery unit	Cuts
Colour	natural
Execution	heavy

More images

