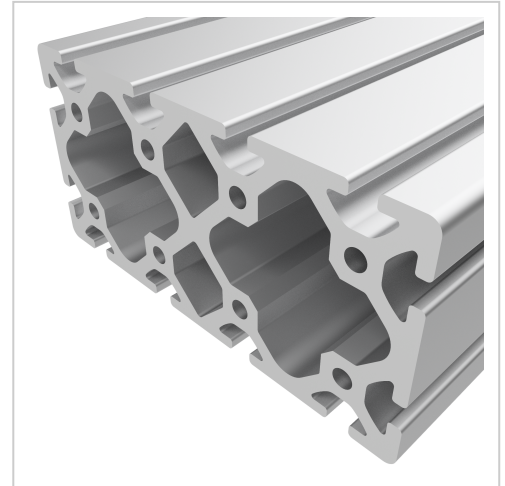


Profile 8 160x80, natural | Cut length

Profil 8 160x80, natur kaufen ☐ - 0.0.265.26 kompatibel mit Aluprofilen.
Jetzt sparen in unserem Onlineshop ☐ !

Product number PI-1090 SZ

Weight 13.202kg



Product description

Profiles 8 are suitable for assemblies of all kinds. Due to the different profile geometries, the material requirements can be adapted to the application. The grooves and the core holes of the profiles 8 are designed for M8 screws. Cut to size max. 6000 mm

Product properties

Material	Al Mg Si 0.5 F25, artificially aged
Anodised	E6EV1 10-15 µm silver
Tolerances	EN 12020-2
Compatible with	item
Nutauszugskraft	F=5.000 N
Breite Profil	160 mm
Höhe Profil	80 mm
Groove shape	Open grooves
Size	160x80 mm
Profile length	Cut length
Series	Series 8
Delivery unit	Cuts
Contour	Rectangular
Colour	natural
Execution	heavy

More images

