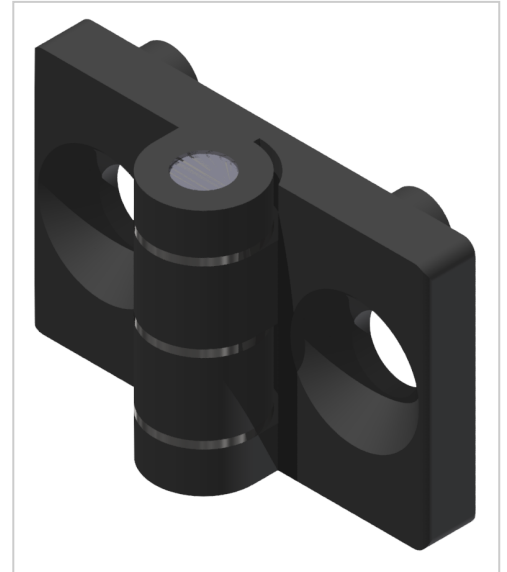


## Hinge 5 PA, black

Scharnier 5 PA, schwarz kaufen ☐ - 0.0.370.18 kompatibel mit Aluprofilen.  
Jetzt sparen in unserem Onlineshop ☐ !

**Product number** ZI-4080

**Weight** 0.006kg



### Product description

PA hinges are suitable for lighter doors and flaps. They are equipped with an anti-rotation device that engages in the groove. Panel elements that are installed directly with PA hinges must be machined with holes.

### Product properties

<b>Compatible with</b>	item
<b>Part type</b>	Hinges
<b>Colour</b>	black
<b>Material</b>	PA-GF
<b>Series</b>	Series 5
<b>Hinge Type</b>	Hinge PA

## More images

