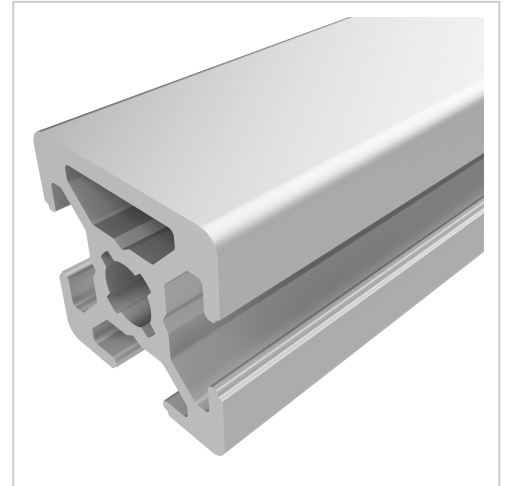


# Profile 20x20 3N natural-6

Strebenprofil 20x20 3N kaufen ☐ - 3 842 992 889 kompatibel mit Bosch-Geräten. Jetzt sparen in unserem Onlineshop ☐ !

**Product number** PB-1722 SZ

**Weight** 0.473kg



## Product description

The compact design of Profiles 6 makes them particularly suitable for small and weight-optimised assemblies. The grooves and the core holes of the profiles 6 are designed for M6 screws.

Cut to size max. 6000 mm

## Product properties

<b>Compatible with</b>	Bosch
<b>Nutauszugskraft</b>	F=1.000 N
<b>Breite Profil</b>	20 mm
<b>Höhe Profil</b>	20 mm
<b>Modular dimension</b>	Modular dimension 20
<b>Groove shape</b>	1 side closed
<b>Profile length</b>	Cut length
<b>Contour</b>	Square
<b>Delivery unit</b>	Cuts
<b>Size</b>	20x20 mm
<b>Colour</b>	natural
<b>Execution</b>	heavy
<b>Series</b>	Series 20-6

## More images

