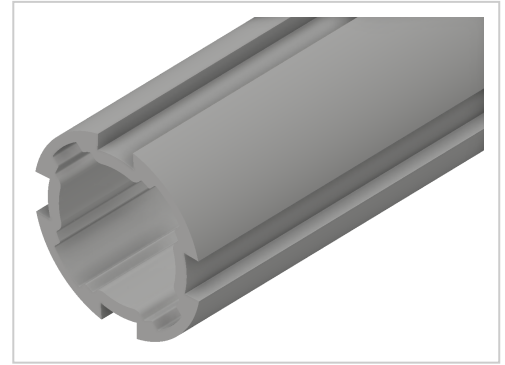


Profile Tube D30, natural | Cut length

Profilrohr D30, grau ähnlich RAL 7042 kaufen ☐☐ - 0.0.643.26 kompatibel mit Aluprofilen. Jetzt sparen in unserem Onlineshop ☐ !

Product number PL-1125 SZ

Weight 7.326kg



Product description

Round tube with aluminium clamping grooves

Product properties

Compatible with	item
Series	i- LPS Lean Production
Colour	grey
Profile length	Cut length
Delivery unit	Cuts
Lean system type	D30 Aluminium i kit system

More images

