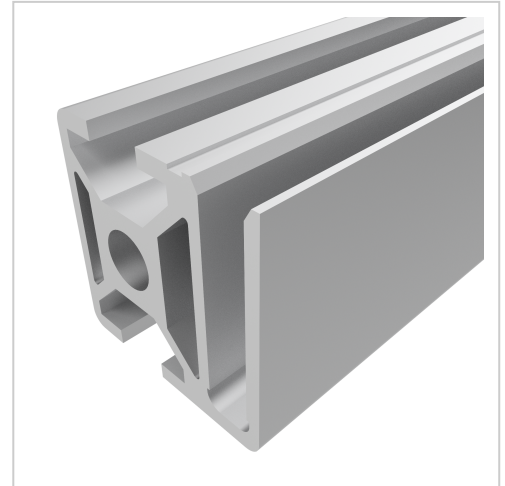


Profile 30x30 WG 30 natural-8 | Cut length

Strebenprofil 30x30 WG 30 kaufen ☐ - 3 842 992 971 kompatibel mit Bosch-Geräten. Jetzt sparen in unserem Onlineshop ☐ !

Product number PB-1860 SZ

Weight 0.87kg



Product description

Profiles 8 are particularly suitable for weight-optimised assemblies. The grooves and the core holes of profiles 8 are designed for M8 screws.

Cut to size max. 6000 mm

Product properties

Material	Al Mg Si 0.5 F25, artificially aged
Anodised	E6EV1 10-15 µm silver
Tolerances	EN 12020-2
Compatible with	Bosch
Nutauszugskraft	F=1.000 N
Breite Profil	30 mm
Höhe Profil	30 mm
Profile length	Cut length
Modular dimension	Modular dimension 30
Contour	Square
Groove shape	Clamp Profile
Delivery unit	Cuts
Size	30x30 mm
Colour	natural
Series	Series 30 8
Execution	heavy

More images

