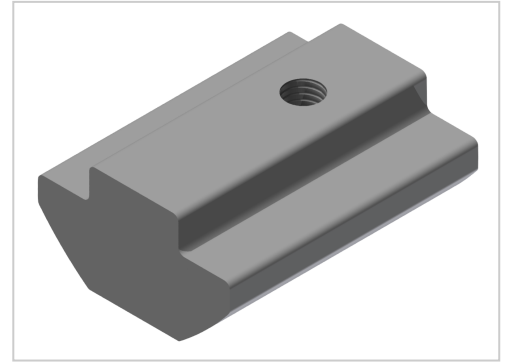


T-Slot Nut 8 St M4, heavy, bright zinc-plated

Nutenstein V 8 St M4, schwer, verzinkt kaufen ☐☐ Jetzt sparen in unserem Onlineshop ☐ !

Product number NI-1070

Weight 0.011kg



Product description

T-Slot Nuts for fastening and screwing all kinds of components. The slot nut can be positioned anywhere in the profile slot by means of a spring-loaded pressure piece.

Product properties

Compatible with	item
Part type	T-slot nut
Kraft zulässig	Fzul. = 5.000 N
Moment	34 Nm
Thread	M4
Series	Series 8
Material	Galvanized steel
T-Slot Nut Variant	slidable V

More images

