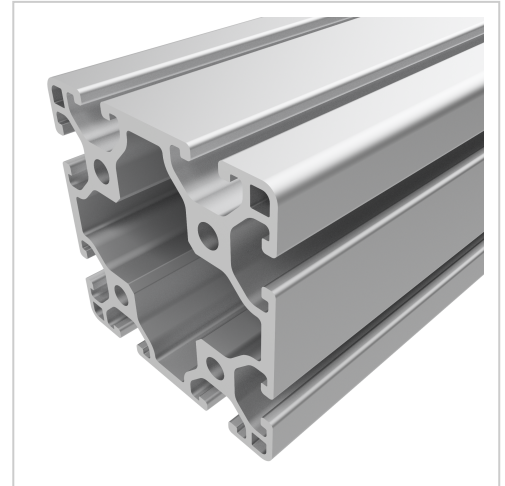


Profile 6 60x60 light, natural | Cut length

Profil 6 60x60 leicht, natur kaufen ☐ - 0.0.419.09 kompatibel mit Aluprofilen. Jetzt sparen in unserem Onlineshop ☐ !

Product number PI-3090 SZ

Weight 2.614kg



Product description

Profiles 6 are particularly suitable for weight-optimised assemblies. The grooves and the core holes of profiles 6 are designed for M6 screws.

Cut to size max. 6000 mm

Product properties

Material	Al Mg Si 0.5 F25, artificially aged
Anodised	E6EV1 10-15 µm silver
Tolerances	EN 12020-2
Breite Profil	60 mm
Höhe Profil	60 mm
Series	Series 6
Groove shape	Open grooves
Size	60x60 mm
Profile length	Cut length
Contour	Square
Delivery unit	Cuts
Execution	light
Colour	natural

More images

