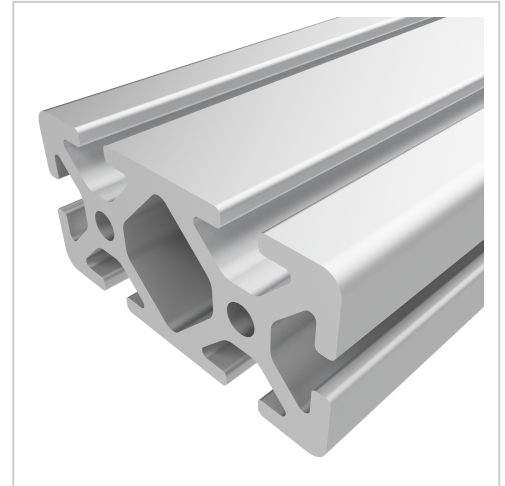


Profile 6 60x30, natural | Cut length

Profil 6 60x30, natur kaufen ☐ - 0.0.419.02 kompatibel mit Aluprofilen.
Jetzt sparen in unserem Onlineshop ☐ !

Product number PI-3020 SZ

Weight 2.193kg



Product description

Profiles 6 are particularly suitable for weight-optimised assemblies. The grooves and the core holes of profiles 6 are designed for M6 screws.

Cut to size max. 6000 mm

Product properties

| | |
|------------------------|-------------------------------------|
| Material | Al Mg Si 0.5 F25, artificially aged |
| Anodised | E6EV1 10-15 µm silver |
| Tolerances | EN 12020-2 |
| Compatible with | item |
| Nutauszugskraft | F=1.750 N |
| Breite Profil | 60 mm |
| Höhe Profil | 30 mm |
| Series | Series 6 |
| Groove shape | Open grooves |
| Profile length | Cut length |
| Delivery unit | Cuts |
| Size | 60x30 mm |
| Colour | natural |
| Execution | heavy |

More images

