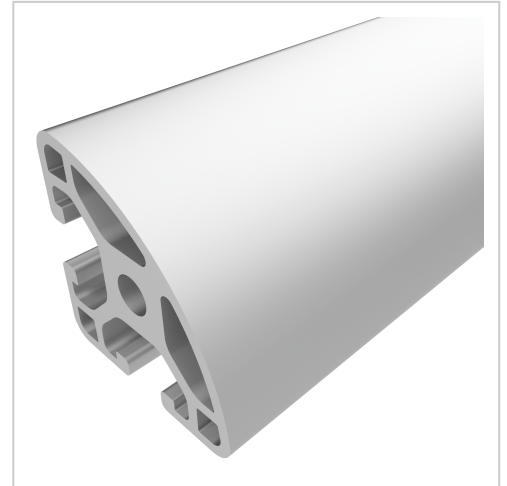


Profile 6 R30-90° light, natural | Cut length

Profil 6 R30-90° leicht, natur kaufen ☐☐ - 0.0.434.73 kompatibel mit Aluprofilen. Jetzt sparen in unserem Onlineshop ☐ !

Product number PI-3160 SZ
Weight 0.832kg
Length 6000mm



Product description

Profiles 6 are particularly suitable for weight-optimised assemblies. The grooves and the core holes of profiles 6 are designed for M6 screws.

Cut to size max. 6000 mm

Product properties

Material Al Mg Si 0.5 F25, artificially aged
Anodised E6EV1 10-15 µm silver
Tolerances EN 12020-2
Compatible with item
Nutauszugskraft F=500 N
Series Series 6
Profile length Cut length
Delivery unit Cuts
Execution light
Size 30x30 mm
Contour Round
Colour natural
Groove shape Radius profiles

More images

