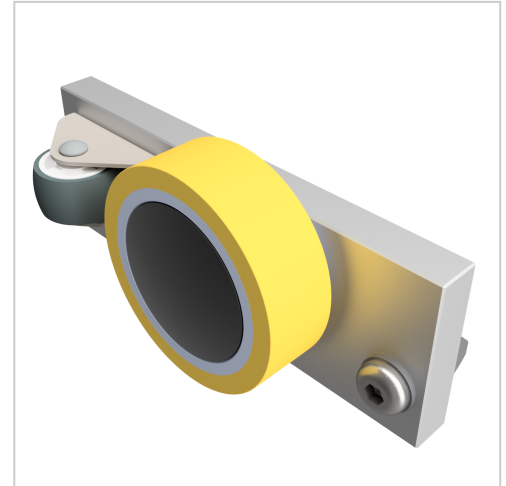


# Roller Unit D60 PU

Rolleneinheit D60 PU kaufen ☐ - 0.0.606.90 kompatibel mit Aluprofilen.  
Jetzt sparen in unserem Onlineshop ☐ !

**Product number** ZI-1059

**Weight** 0.32kg



## Product description

The **Roller Unit D60 PU** is a **high-quality running assembly with a durable polyurethane roller**, designed for use in **linear guides and telescopic systems**.

Thanks to its **robust construction, smooth running behavior, and high load capacity**, it is perfectly suited for **carriages, overhead tracks, and sliding units** in **mechanical engineering, automation, and material handling applications**.

**Polyurethane (PU) Roller:** highly wear-resistant, noise-reducing, and vibration-absorbing – ideal for continuous industrial use

- **High Load Capacity:** static load rating **C = 9,360 N**, dynamic load rating **C? = 5,000 N**
- **Durable Design:** includes an anodized aluminum mounting plate, spring guide, and complete fastening set (M8 button-head screws, slot nuts, washers)
- **Precise Side Guidance:** additional side roller ensures exact positioning within the profile
- **Versatile Applications:** perfect for **carriages, trolleys, sliding systems, and machine assemblies**
- **Compatible with Profile 8 Systems:** fully compatible with **item-style aluminium profiles** (e.g., 80×40 mm)
- **Ready to Install:** delivered with all necessary mounting components
- 

## Product properties

**Compatible with** item

**Part type** Sliding door guides

**Series** Series 8

## More images

