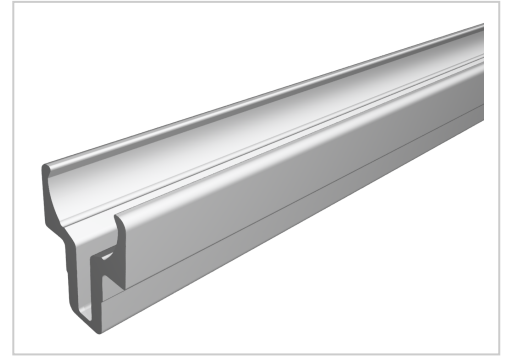


Shaft clamp Profile 8 D14, natural | Cut length

Wellenklemmprofil 8 D14, natur kaufen ☐ - 0.0.294.34 kompatibel mit Aluprofilen. Jetzt sparen in unserem Onlineshop ☐ !

Product number PI-1535 SZ

Weight 0.36kg



Product description

The shaft clamping profile is used to hold the guide shaft d14. The shaft is pressed into the profile groove by pressing in the shaft clamping profile. The shafts are secured by a DIN6325 cylindrical pin.

Product properties

Part type Roller guides

Profile length Cut length

Series Series 8

Delivery unit Cuts

Diameter mm Ø 14

Colour natural

More images

