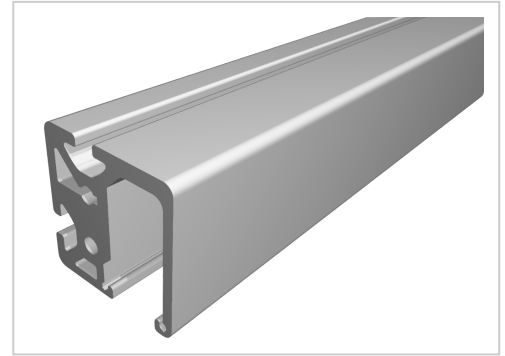


# Roller Profile 8 D14, natural | Cut length

Laufrollenprofil 8 D14, natur kaufen ☐ - 0.0.264.02 kompatibel mit Aluprofilen. Jetzt sparen in unserem Onlineshop ☐ !

**Product number** PI-1430 SZ

**Weight** 4.18kg



## Product description

The track roller profile is used to create bearing units D14 in suitable length up to 6000mm.

Cut to size max. 6000 mm

Compatible with item 0.0.426.02

## Product properties

**Material** Al Mg Si 0.5 F25, artificially aged

**Anodised** E6EV1 10-15 µm silver

**Tolerances** EN 12020-2

**Compatible with** item

**Part type** Roller guides, Sliding door guides

**Nutauszugskraft** F=5.000 N

**Profile length** Cut length

**Series** Series 8

**Delivery unit** Cuts

**Contour** Rectangular

**Diameter mm** Ø 14

**Colour** natural

**Groove shape** Slide door profiles

## More images

