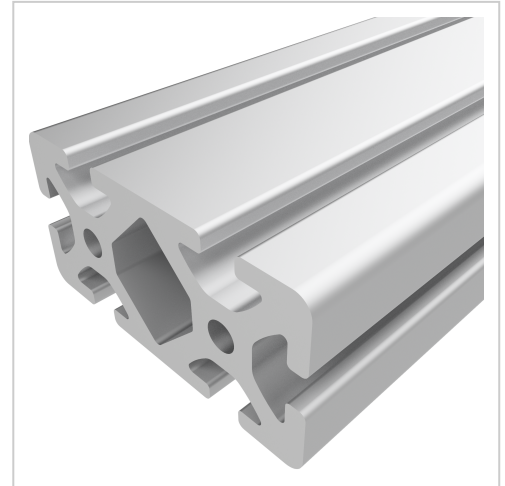


Profile 12 120x60, natural | Cut length

Profil 12 120x60, natur kaufen ☐ - 0.0.001.12 kompatibel mit Aluprofilen. Jetzt sparen in unserem Onlineshop ☐ !

Product number PI-8045 SZ

Weight 15.846kg



Product description

Profiles 12 are suitable for a wide range of assemblies. The grooves and the core holes of the profiles 12 are designed for screws M12.

Cut to size max. 6000 mm

Product properties

Material	Al Mg Si 0.5 F25, artificially aged
Anodised	E6EV1 10-15 µm silver
Tolerances	EN 12020-2
Compatible with	item
Nutauszugskraft	F=10.000 N
Breite Profil	120 mm
Höhe Profil	60 mm
Groove shape	Open grooves
Profile length	Cut length
Delivery unit	Cuts
Contour	Rectangular
Size	120x60 mm
Colour	natural
Execution	heavy
Series	Series 12

More images

