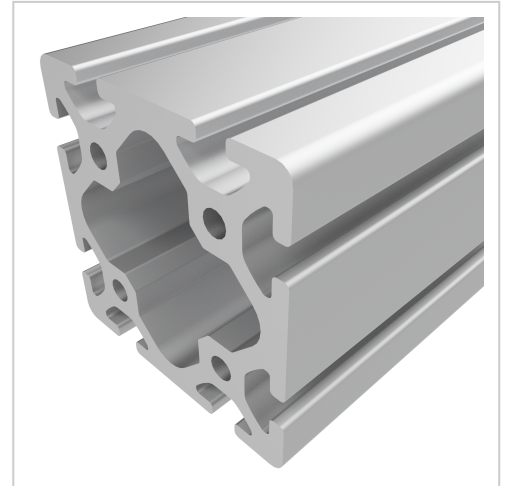


Profile 12 120x120, natural | Cut length

Profil 12 120x120, natur kaufen ☐ - 0.0.001.13 kompatibel mit Aluprofilen. Jetzt sparen in unserem Onlineshop ☐ !

Product number PI-8030 SZ

Weight 15.846kg



Product description

Profiles 12 are suitable for a wide range of assemblies. The grooves and the core holes of the profiles 12 are designed for screws M12.

Cut to size max. 6000 mm

Product properties

Material	Al Mg Si 0.5 F25, artificially aged
Anodised	E6EV1 10-15 µm silver
Tolerances	EN 12020-2
Compatible with	item
Nutauszugskraft	F=10.000 N
Breite Profil	120 mm
Höhe Profil	120 mm
Groove shape	Open grooves
Profile length	Cut length
Contour	Square
Delivery unit	Cuts
Colour	natural
Execution	heavy
Size	120x120 mm
Series	Series 12

More images

