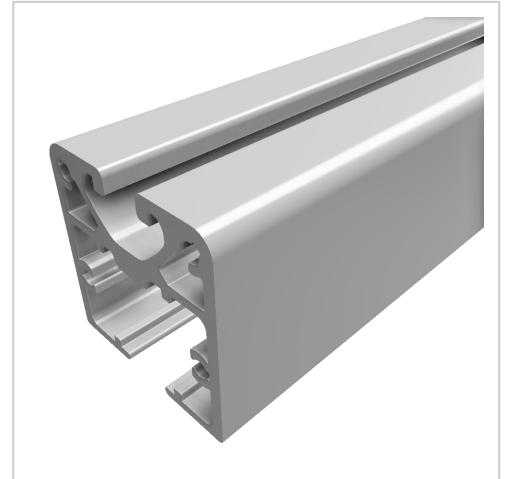


Track Profile 8 80x40, natural | Cut length

Laufbahnprofil 8 40x40, natur kaufen ☐☐ - 0.0.623.61 kompatibel mit Aluprofilen. Jetzt sparen in unserem Onlineshop ☐ !

Product number PI-1414 SZ

Weight 8.52kg



Product description

Guide Rail Profile 8 40x40, Natural – Precision Guidance for Linear Units

Key Benefits

The **Guide Rail Profile 8 40x40, natural anodized**, is specifically designed for use in **linear systems and moving constructions**. With its integrated guide rail, it is ideal for **roller guides, carriages, and other components** that require **precise and smooth motion**.

Combining an **aluminum profile** with a **machined guide slot**, this profile enables **space-saving and cost-efficient linear applications** while maintaining **high rigidity and long service life**. The **natural anodized surface** provides additional **corrosion protection** and ensures a **clean, professional appearance**.

- Ideal base for roller carriages and guide units
- Fully compatible with standard Line 8 linear components
- Space-efficient design with integrated guide track
- Perfect for automation, handling systems, and special machinery
- High-quality surface for precise movement and clean aesthetics

The **Guide Rail Profile 8 40x40, natural** is the perfect choice for those who value **precision, efficiency, and durability** in linear motion systems.

Product properties

Material	Al Mg Si 0.5 F25, artificially aged
Anodised	E6EV1 10-15 µm silver
Tolerances	EN 12020-2
Compatible with	item
Nutauszugskraft	F=5.000 N
Breite Profil	40 mm
Höhe Profil	40 mm
Profile length	Cut length
Series	Series 8
Delivery unit	Cuts
Size	40x40 mm
Contour	Rectangular
Groove shape	Slide door profiles

More images

