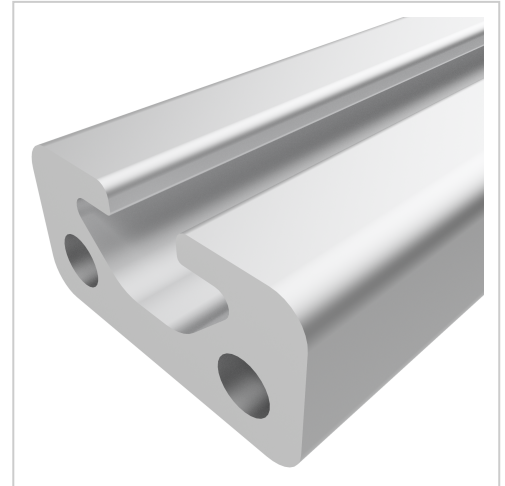


Profile 5 20x10, natural | Cut length

Profil 5 20x10, natur kaufen ☐ - 0.0.391.02 kompatibel mit Aluprofilen.
Jetzt sparen in unserem Onlineshop ☐ !

Product number PI-4010 SZ

Weight 2.1kg



Product description

The compact design of Profiles 5 makes them particularly suitable for small and weight-optimised assemblies. The grooves and core holes of Profiles 5 are designed for M5 screws.

Cut to size max. 6000 mm

Product properties

Compatible with	item
Nutauszugskraft	F=500 N
Breite Profil	20 mm
Höhe Profil	10 mm
Size	20x10 mm
Groove shape	Open grooves
Profile length	Cut length
Delivery unit	Cuts
Contour	Rectangular
Series	Series 5
Colour	natural
Execution	heavy

More images

