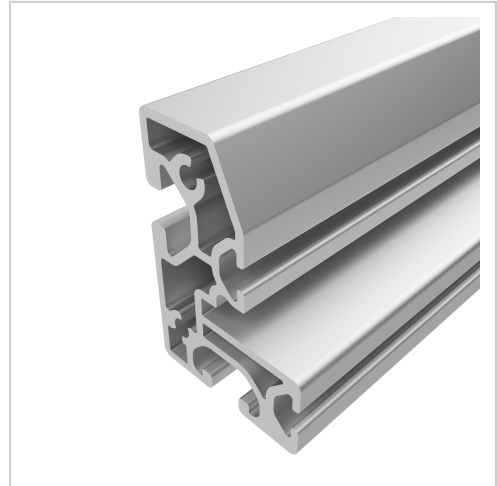


## Profile 8 80x40 light, natural | Cut length

**Product number** PI-1023 SZ

**Weight** 1.754kg



### Product description

Profiles 8 are suitable for assemblies of all kinds. Due to the different profile geometries, the material requirements can be adapted to the application. The grooves and the core holes of the profiles 8 are designed for M8 screws.  
Cut to size max. 6000 mm

### Product properties

<b>Series</b>	Workstation systems, Series 8
<b>Anodised</b>	E6EV1 10-15 µm silver
<b>Compatible with</b>	item
<b>Part type</b>	Shelves
<b>Nutauszugskraft</b>	F=1.750 N
<b>Breite Profil</b>	60 mm
<b>Höhe Profil</b>	40 mm
<b>Groove shape</b>	Open grooves
<b>Profile length</b>	Cut length
<b>Delivery unit</b>	Cuts
<b>Execution</b>	light
<b>Contour</b>	Rectangular
<b>Size</b>	60x40 mm
<b>Colour</b>	natural

More images

