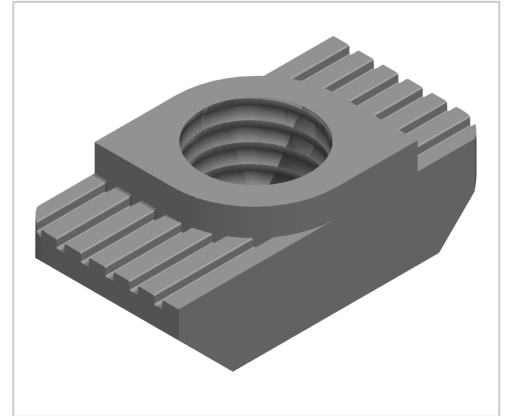


Hammer Nut M4 zinc-plated-6

Hammermutter M4, verzinkt mit Bremsmoment-6 kaufen ☐ - 3 842 523 135 kompatibel mit Bosch-Geräten. Jetzt sparen in unserem Onlineshop ☐ !

Product number NB-1000-B

Weight 0.001kg



Product description

Fastening element for Pofile. Breaks up the anodised layer and creates a safe, electrically ESD conductive connection.

Product properties

Braking torque	with
Part type	Hammer nuts
Series	Series 6
Thread	M4
Material	Galvanized steel

More images

