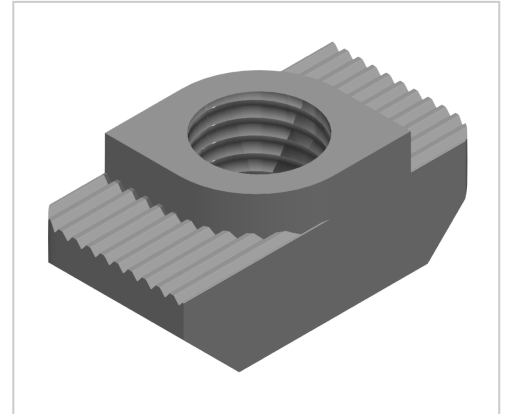


# Hammer Nut M8 stainless-10

Hammermutter M8, Edelstahl mit Bremsmoment-10 kaufen ☐ - 3 842 536 603 kompatibel mit Bosch-Geräten. Jetzt sparen in unserem Onlineshop ☐ !

**Product number** NB-3060-B

**Weight** 0.007kg



## Product description

Fastening element for Pofile. Breaks up the anodised layer and creates a safe, electrically ESD conductive connection.

## Product properties

<b>Braking torque</b>	with
<b>Part type</b>	Hammer nuts
<b>Series</b>	Series 60-10, Series 45-10, Series 50-10, Series 40-10
<b>Thread</b>	M8
<b>Material</b>	Stainless steel

## More images

