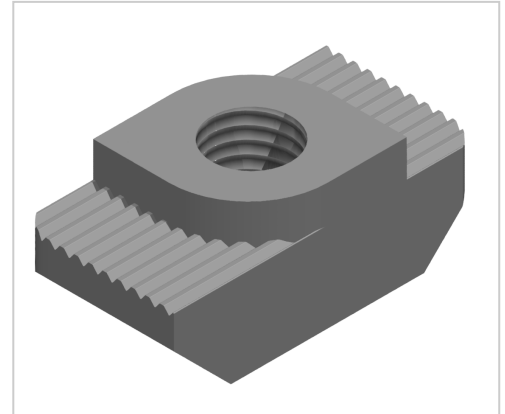


# Hammer Nut M6 stainless-10

Hammermutter M6, Edelstahl mit Bremsmoment-10 kaufen ☐ - 3 842 536 605 kompatibel mit Bosch-Geräten. Jetzt sparen in unserem Onlineshop ☐ !

**Product number** NB-3058-B

**Weight** 0.008kg



## Product description

Fastening element for Pofile. Breaks up the anodised layer and creates a safe, electrically ESD conductive connection.

## Product properties

**Compatible with** Bosch

**Braking torque** with, without

**Part type** Hammer nuts

**Series** Series 60-10, Series 45-10, Series 50-10, Series 40-10

**Material** Stainless steel

**Thread** M6

## More images

