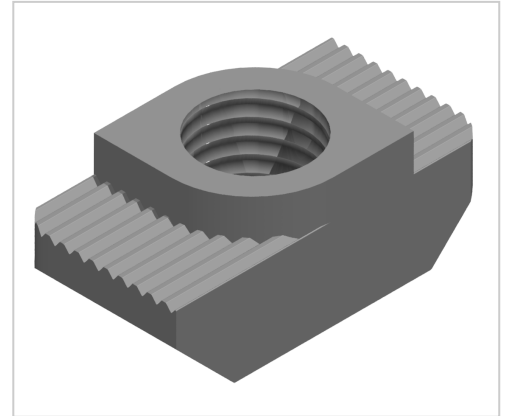


Hammer Nut M8 zinc-plated-10

Hammermutter M8, verzinkt mit Bremsmoment-10 kaufen ☐ - 3 842 530 287 kompatibel mit Bosch-Geräten. Jetzt sparen in unserem Onlineshop ☐ !

Product number NB-3057-B



Product description

Fastening element for Pofile. Breaks up the anodised layer and creates a safe, electrically ESD conductive connection.

Product properties

Compatible with	Bosch
Braking torque	with
Part type	Hammer nuts
Series	Series 60-10, Series 45-10, Series 50-10, Series 40-10
Thread	M8
Material	Galvanized steel

More images

