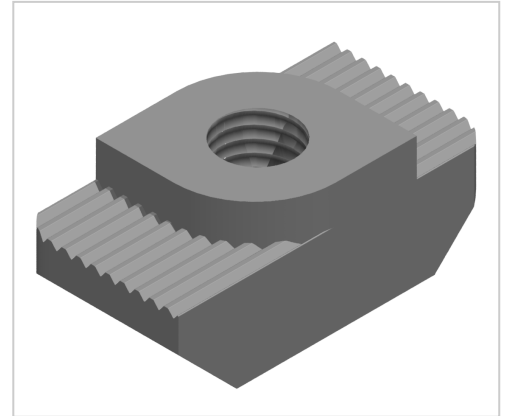


# Hammer Nut M5 zinc-plated-10

Hammermutter M5, verzinkt mit Bremsmoment-10 kaufen ☐ - 3 842 530 283 kompatibel mit Bosch-Geräten. Jetzt sparen in unserem Onlineshop ☐ !

**Product number** NB-3053-B

**Weight** 0.008kg



## Product description

Fastening element for Pofile. Breaks up the anodised layer and creates a safe, electrically ESD conductive connection.

## Product properties

**Compatible with** Bosch

**Braking torque** with

**Part type** Hammer nuts

**Series** Series 60-10, Series 45-10, Series 50-10, Series 40-10

**Material** Galvanized steel

**Thread** M5

## More images

