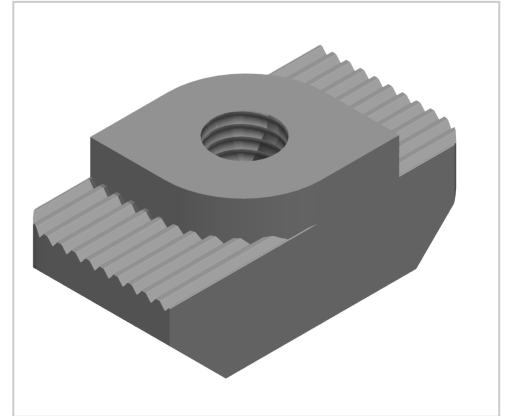


Hammer Nut M4 zinc-plated-10

Hammermutter M4, verzinkt mit Bremsmoment-10 kaufen ☐ - 3 842 530 281 kompatibel mit Bosch-Geräten. Jetzt sparen in unserem Onlineshop ☐ !

Product number NB-3051-B

Weight 0.008kg



Product description

Fastening element for Pofile. Breaks up the anodised layer and creates a safe, electrically ESD conductive connection.

Product properties

Compatible with Bosch

Braking torque with

Part type Hammer nuts

Series Series 60-10, Series 45-10, Series 50-10, Series 40-10

Thread M4

Material Galvanized steel

More images

