

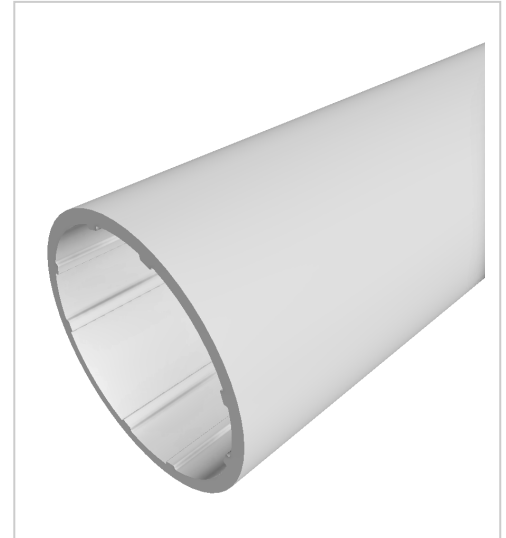
Tube D50 Al, natural

Rohr D32 Al Natur kaufen [☐](#) - 0.0.678.19 kompatibel mit Aluprofilen. Jetzt sparen in unserem Onlineshop [☐](#) !

Product number PI-1114 SN 3000

Weight 1.02kg

Length 3000mm



Product description

With the D50 tube, together with the D50 bearing set, variable width roller conveyors are realised.

Product properties

Transport roller Ø TR 32

Material Al Mg Si 0.5 F25, artificially aged

Anodised E6EV1 10-15 µm silver

Tolerances EN 12020-2

Part type Transport rollers

Delivery unit Rods

Series Series 8

Profile length 3000 mm bar

More images

