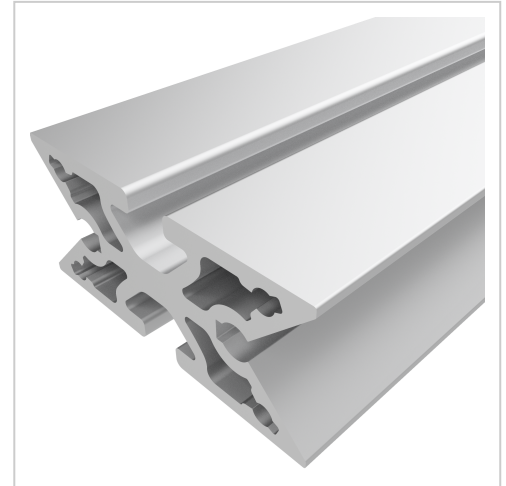


Profile 8 80x40, natural

Teleskop-Innenprofil 8 80x40, natur kaufen ☐ - 0.0.608.50 kompatibel mit Aluprofilen. Jetzt sparen in unserem Onlineshop ☐ !

Product number PI-1422 SZ

Weight 1.67kg



Product description

Profiles 8 are suitable for assemblies of all kinds. Due to the different profile geometries, the material requirements can be adapted to the application. The grooves and the core holes of the profiles 8 are designed for M8 screws. Cut to size max. 6000 mm

Product properties

Material	Al Mg Si 0.5 F25, artificially aged
Anodised	E6EV1 10-15 µm silver
Tolerances	EN 12020-2
Part type	Telescopes
Breite Profil	80 mm
Höhe Profil	40 mm
Profile length	Cut length
Series	Series 8
Delivery unit	Cuts
Contour	Rectangular
Groove shape	4 sides closed
Colour	natural
Execution	heavy
Size	80x40 mm

More images

